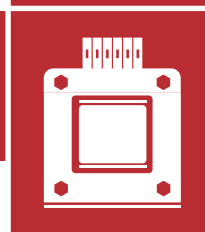
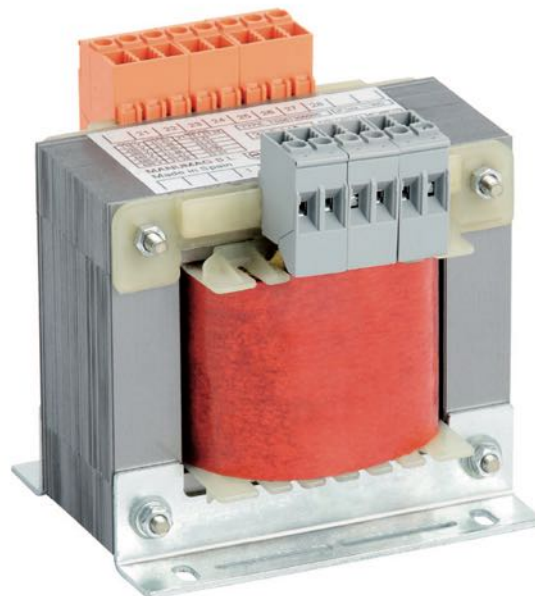
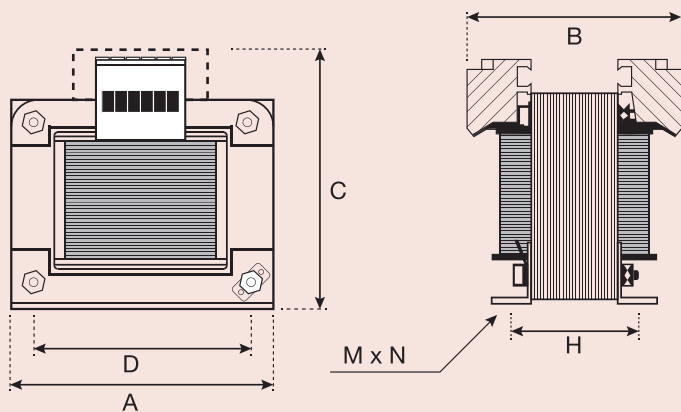


TRANSFORMADORES DE SEGURIDAD MONOFÁSICOS

SINGLE-PHASE SAFETY TRANSFORMERS



TS SERIES ▶ 110 / 220 / 380 / 440 / 460 / 480V - 12 / 24 / 42 / 48Vac



TENSIÓN PRIMARIA / PRIMARY VOLTAGE: 110/220/380/440/460/480Vac
TENSIÓN SECUNDARIO / SECONDARY VOLTAGE: 12 / 24 / 42 / 48Vac

Normativa / Standard: EN-61558-2-6

Clase de aislamiento / Isolation class: t₂ 40°C/F

Rigidez dieléctrica / Dielectric strength:

4800V (Entre primario y secundario / Between primary and secondary)

3500V (Entre primario y masa / Between primary and mass)

Grado de protección / Protection degree: IP00

Clase de protección / Protection class: I

Frecuencia / Frequencies: 50 / 60Hz

Conexión / Connection: Bornas de tornillo-fastón / Screw faston terminals

Sistema de fijación / Fixing system: Mediante ángulos DIN 41307 / Through angles DIN 41307

Bobinado / Winding: En hilo de cobre clase H. Primario y secundario separado (separación galvánica) / Enamelled copper wire class H. Separated Primary and Secondary (galvanic separation)

Los transformadores de seguridad están destinados a alimentar dispositivos eléctricos donde se necesite una separación de circuito. Están protegidos contra la humedad mediante impregnación de resina. / Safety transformers are intended to supply electric devices where a circuit separation is required. Protected against humidity by means of resin impregnation.

▶ APLICACIONES / APPLICATIONS

Sector renovables / Renewable sector



Sector industrial / Industry sector



| | Potencia / Power (VA) | Código / Code | Dimensiones / Dimensions (mm) | | | | | | Peso Neto / Net Weight (kg) | Packing / Embalaje |
|--|-----------------------|---------------|-------------------------------|-----|-----|-----|-----|--------|-----------------------------|--------------------|
| | | | A | B | C | D | H | MxN | | |
| TS SERIES 110 / 220 / 380 / 440 / 460 / 480V - 12 / 24 / 42 / 48Vac | 40 | TS060406000 | 84 | 100 | 95 | 64 | 55 | 9x4,8 | 1,6 | 12 |
| | 63 | TS060636000 | 84 | 105 | 90 | 64 | 60 | 9x4,8 | 1,9 | 12 |
| | 100 | TS061106000 | 96 | 110 | 105 | 84 | 74 | 11x5,8 | 2,7 | 8 |
| | 160 | TS061166000 | 108 | 106 | 115 | 84 | 70 | 11x5,8 | 3,5 | 8 |
| | 200 | TS061206000 | 108 | 110 | 110 | 84 | 75 | 11x5,8 | 3,7 | 8 |
| | 250 | TS061256000 | 120 | 105 | 121 | 90 | 70 | 11x5,8 | 4,3 | 4 |
| | 315 | TS061326000 | 120 | 115 | 120 | 90 | 80 | 11x5,8 | 4,7 | 4 |
| | 400 | TS061406000 | 120 | 135 | 120 | 90 | 98 | 11x5,8 | 6,5 | 4 |
| | 500 | TS061506000 | 150 | 135 | 182 | 122 | 86 | 13x7 | 8 | 2 |
| | 630 | TS061636000 | 150 | 142 | 182 | 122 | 105 | 13x7 | 10 | 1 |
| | 800 | TS061806000 | 150 | 175 | 182 | 122 | 125 | 13x7 | 12 | 1 |
| | 1000 | TS062106000 | 150 | 190 | 185 | 122 | 135 | 13x7 | 14,4 | 1 |
| | 1600 | TS062166000 | 195 | 175 | 225 | 150 | 111 | 18x10 | 18,2 | 1 |
| | 2000 | TS062206000 | 195 | 197 | 249 | 150 | 120 | 18x10 | 21,3 | 1 |

Otras potencias y tensiones bajo demanda. / Any other powers and voltages available on request.