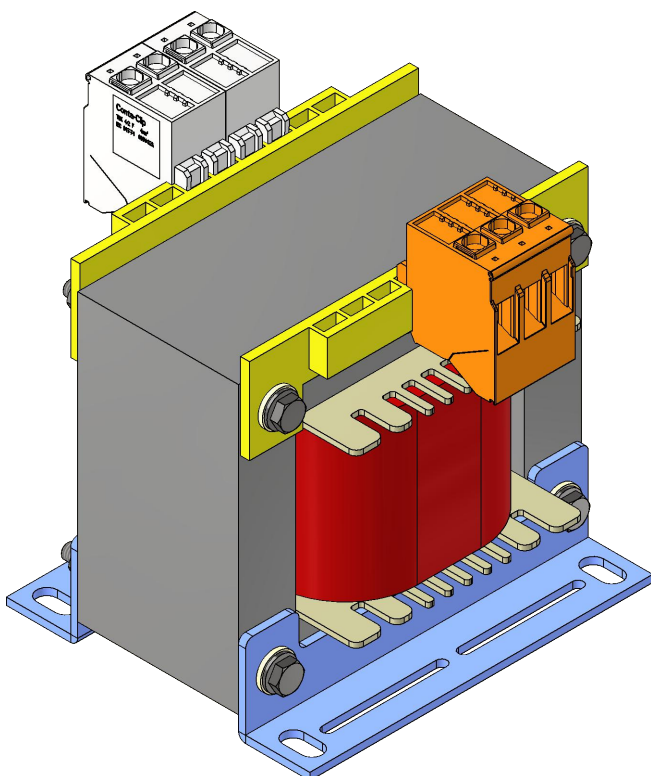
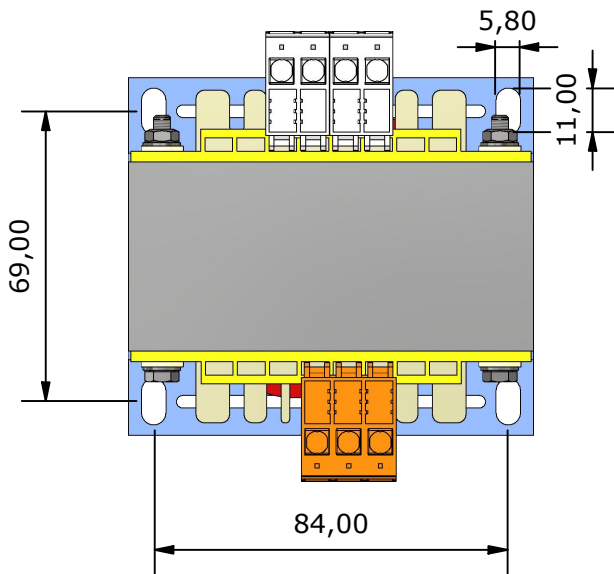
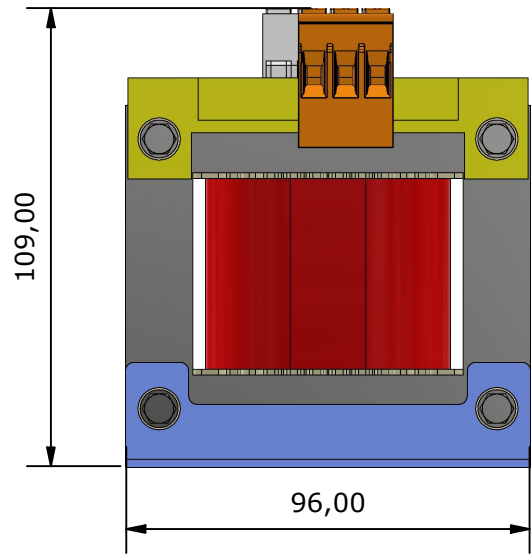
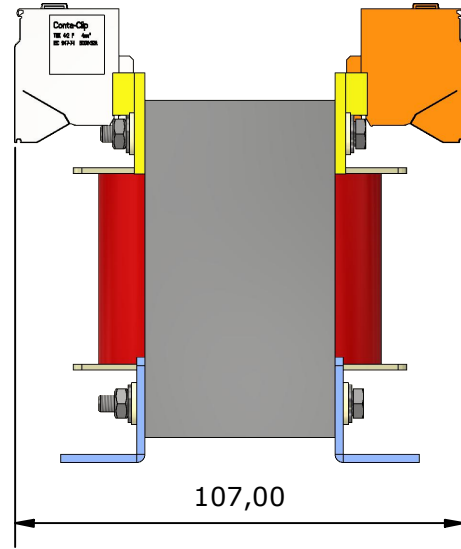


2



2

1



TECHNICAL DATA		
According Standard	EN-61.558-2-6	
Rated Power	200 VA	
Primary Voltage	230/400V	
Secondary Voltage	115/230V	
Frequency	50/60 Hz	
Protection Grade	IP-00	
Isolement Level	F	
ED:	100%	
ta	40°C	
Class	I	
Strength Dielectric test between live parts	4.600V	
Strength Dielectric test between live parts and mass	3.500V	
Data Plate	Yes	
Electrostatic screen	Non	
Wound wires	Cooper wire G-2 class H	
Magnetic Core	Non oriented grain, cold lamination. M 330-50A EN10106	
Bobbin	PA6 + Glass Fiber (30%)	
Type Refrigeration	Dry	
Connection		
Terminal block	4mm (PRI) + faston 4mm (SEC) + faston	
Weight	2,86 Kg.	
Drew by: Miguel A. Hdez. - 06/10/2022	Approved by: Victor Gallego - 06/10/2022	
SINGLE PHASE ISOLATION TRANSFORMER		
Units: mm.	TF041203200	
Page 1 de 1 Rev: 01 Rev date.: 06/10/2022	MANUMAG SL - C/Antonio Barriendos s/n, Pol. Ind. Las Norias 50450-MUEL, SPAIN - VAT ESB50040146 Tel +34 976 140606 - Fax +34 976 140 607 comercial@manumag.com, export@manumag.com	

1