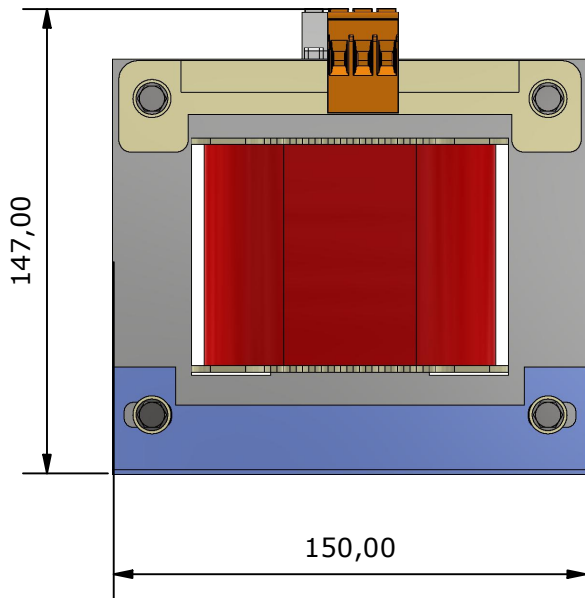
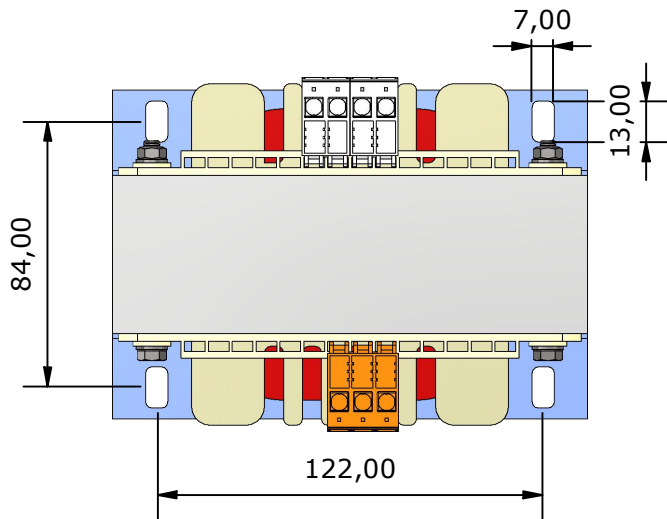
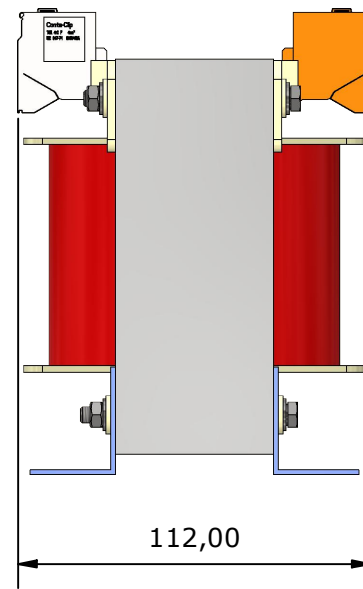


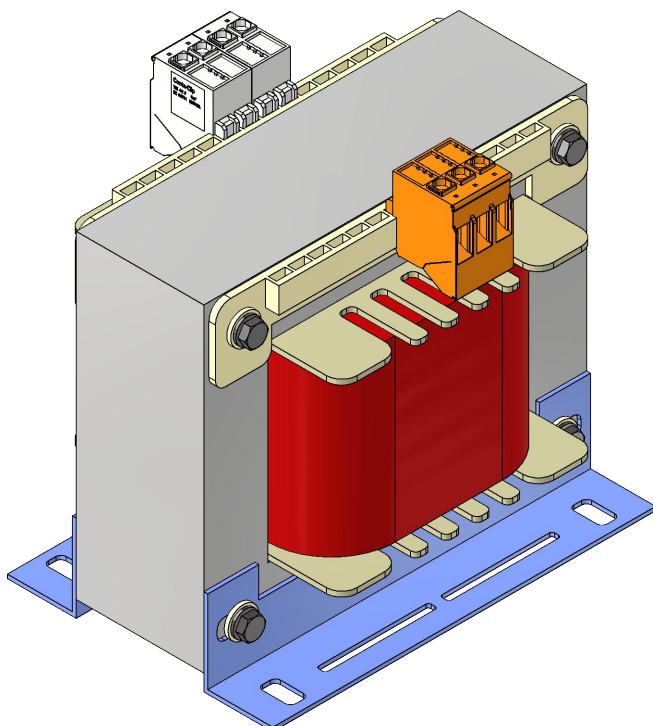
2



1

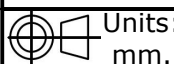


TECHNICAL DATA	
According Standard	EN-61.558-2-6
Rated Power	630 VA
Primary Voltage	230/400V
Secondary Voltage	115/230V
Frequency	50/60 Hz
Protection Grade	IP-00
Isolement Level	F
ED:	100%
ta	40°C
Class	I
Strength Dielectric test between live parts	4.500V
Strength Dielectric test between live parts and mass	3.500V
Data Plate	Yes
Electrostatic screen	Non
Wound wires	Cooper wire G-2 class H
Magnetic Core	Non oriented grain, cold lamination. M 330-50A EN10106
Bobbin	PA6 + Glass Fiber (30%)
Type Refrigeration	Dry
Connection	
Terminal block	4mm (PRI) + faston 4mm (SEC) + faston
Weight	7,92 Kg.



Drew by: Miguel A. Hdez. - 19/10/2022
Approved by: Victor Gallego - 19/10/2022

SINGLE PHASE ISOLATION TRANSFORMER



Units:
mm.

TF041633200

Page 1 de 1
Rev: 01
Rev date.: 19/10/2022

MANUMAG SL - C/Antonio Barriendos s/n, Pol. Ind. Las Norias
50450-MUEL, SPAIN - VAT ESB50040146
Tel +34 976 140606 - Fax +34 976 140 607
comercial@manumag.com, export@manumag.com



2

1