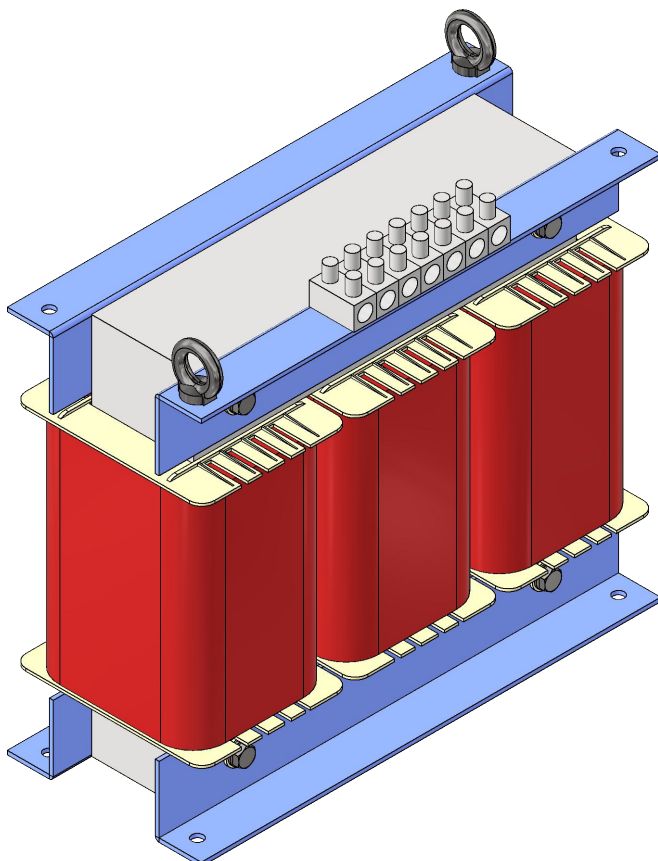


TECHNICAL DATA	
According Standard	EN-61.558-2-13
Rated Power	25 KVA
Primary Voltage	400/690V + N
Secondary Voltage	400/690V + N
Frequency	50/60 Hz
Protection Grade	IP-00
Isolement Level	F
ED:	100%
ta	40°C
Class	I
Strength Dielectric test between live parts	-
Strength Dielectric test between live parts and mass	2.750V
Data Plate	Yes
Electrostatic screen	Non
Wound wires	Aluminum wire G-2 class H
Magnetic Core	Non oriented grain, cold lamination. M 330-50A EN10106
Bobbin	PA6 + Glass Fiber (30%)
Type Refrigeration	Dry
Connection	YN
Terminal block	TEKOX 25mm
Weight	51,6 Kg.



Drew by: Miguel A. Hdez. - 28/03/2023	Approved by: Victor Gallego - 28/03/2023	
THREE-PHASE AUTOTRANSFORMER		
Units: mm.	XMN02325960	
Page 1 de 1 Rev: 01 Rev date.: 28/03/2023	MANUMAG SL - C/Antonio Barriendos s/n, Pol. Ind. Las Norias 50450-MUEL, SPAIN - VAT ESB50040146 Tel +34 976 140606 - Fax +34 976 140 607 comercial@manumag.com, export@manumag.com	