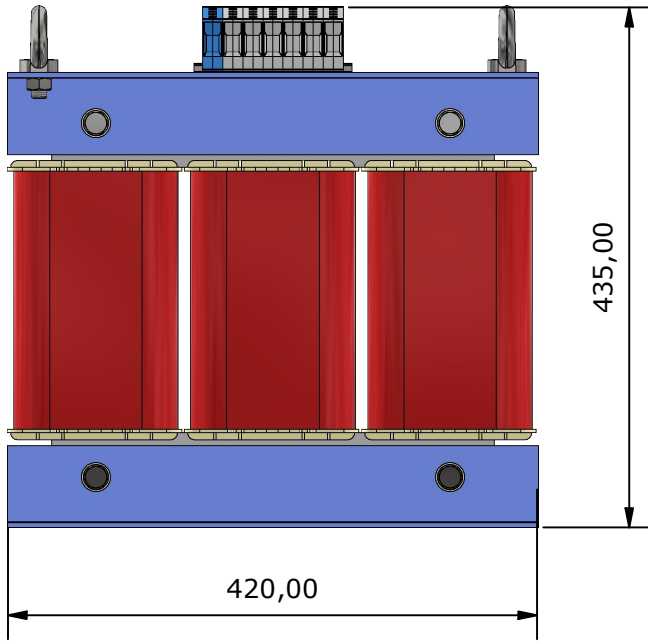
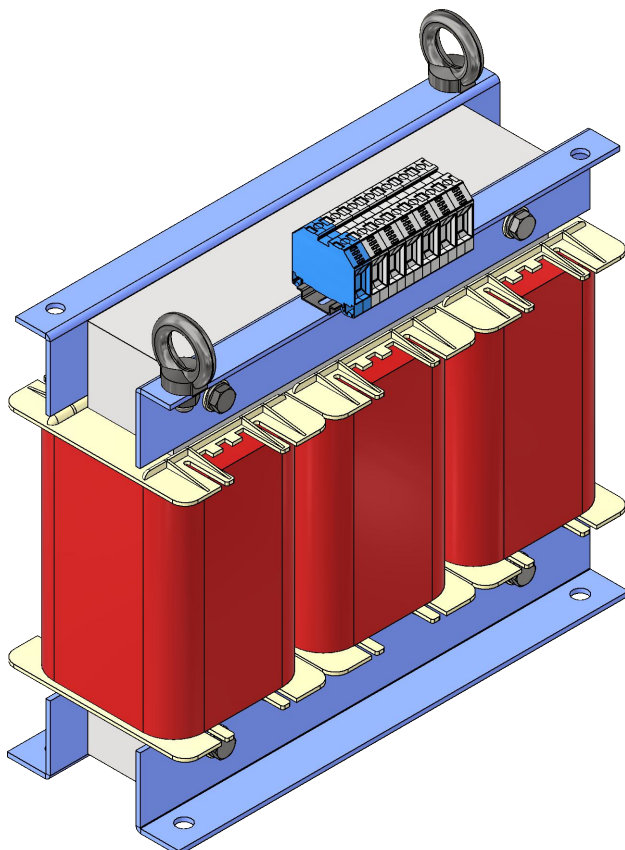
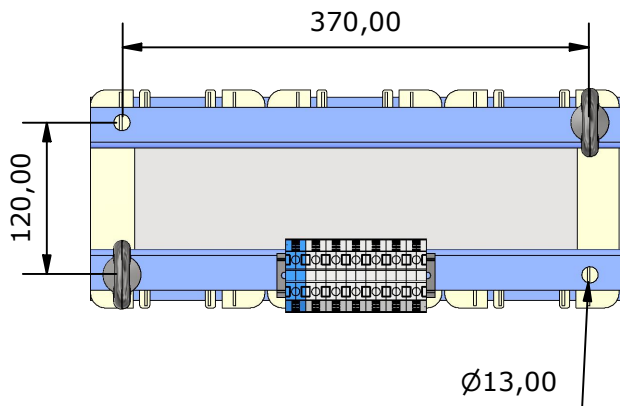
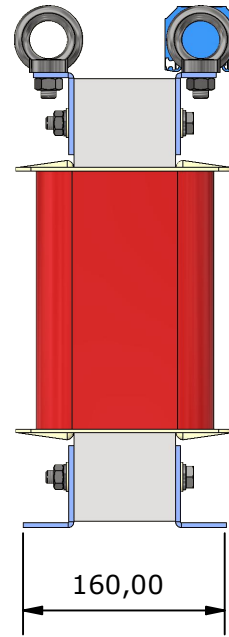


2



1



TECHNICAL DATA

| | |
|--|---|
| According Standard | EN-61.558-2-13 |
| Rated Power | 40 KVA |
| Primary Voltage | 400/690V + N |
| Secondary Voltage | 400/690V + N |
| Frequency | 50/60 Hz |
| Protection Grade | IP-00 |
| Isolement Level | F |
| ED: | 100% |
| ta | 40°C |
| Class | I |
| Strength Dielectric test between live parts | - |
| Strength Dielectric test between live parts and mass | 2.750V |
| Data Plate | Yes |
| Electrostatic screen | Non |
| Wound wires | Aluminum wire G-2 class H |
| Magnetic Core | Non oriented grain, cold lamination. M 330-50A EN10106 |
| Bobbin | PA6 + Glass Fiber (30%) |
| Type Refrigeration | Dry |
| Connection | YN |
| Terminal block | CONTA CLIP 35mm |
| Weight | 76 Kg. |

Drew by:

Miguel A. Hdez. - 09/03/2023

Approved by:

Victor Gallego - 09/03/2023

THREE-PHASE AUTOTRANSFORMER

Units:
mm.

XMN02340960

Page 1 de 1
Rev: 01
Rev date.: 09/03/2023

MANUMAG SL - C/Antonio Barriendos s/n, Pol. Ind. Las Norias
50450-MUEL, SPAIN - VAT ESB50040146
Tel +34 976 140606 - Fax +34 976 140 607
comercial@manumag.com, export@manumag.com



2

1