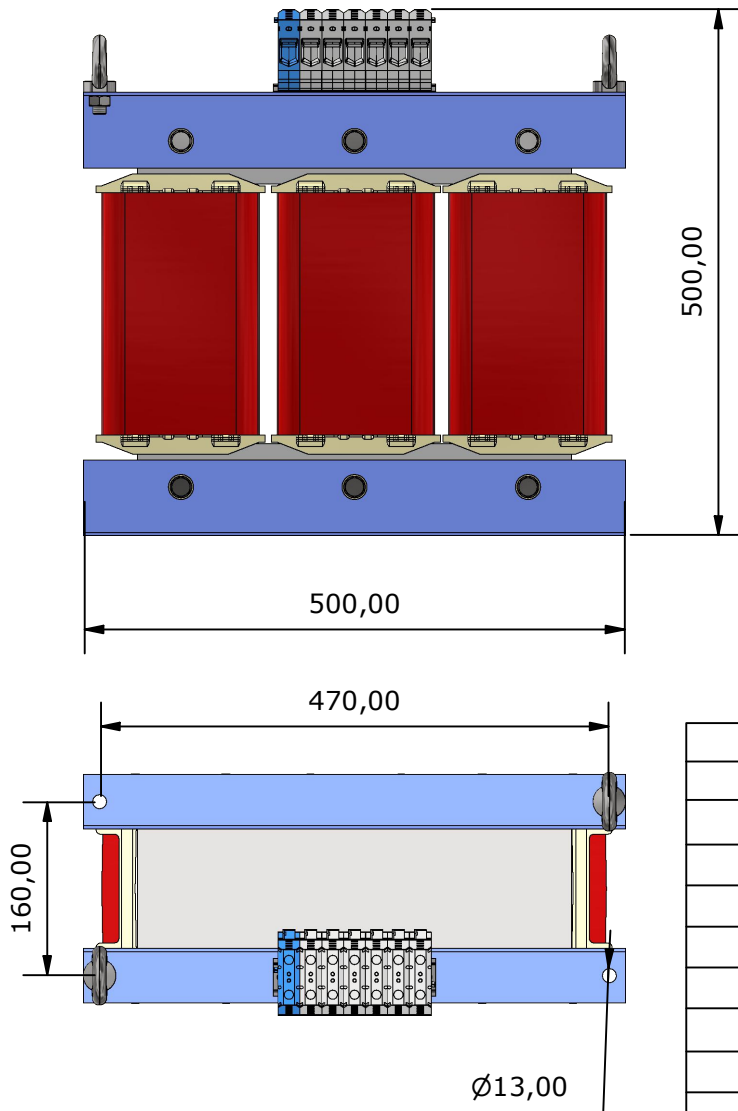
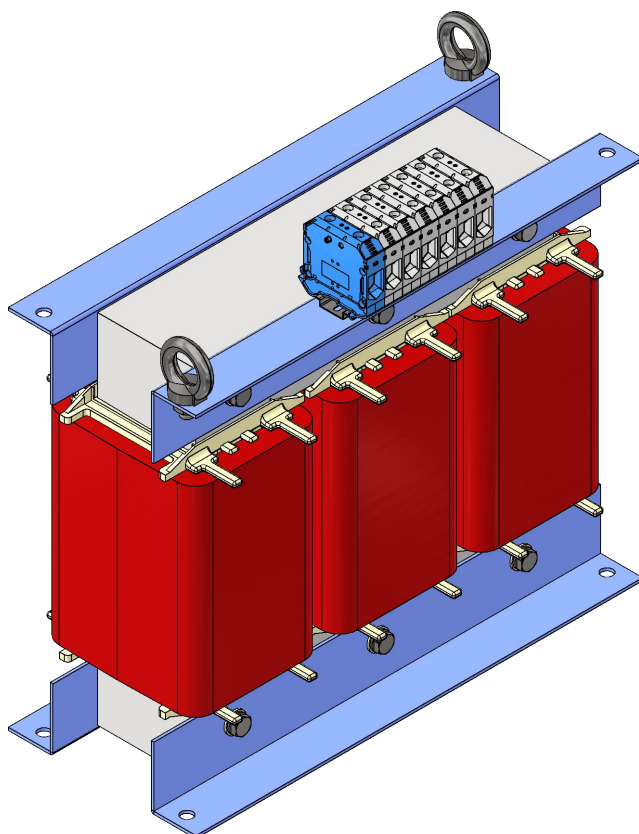
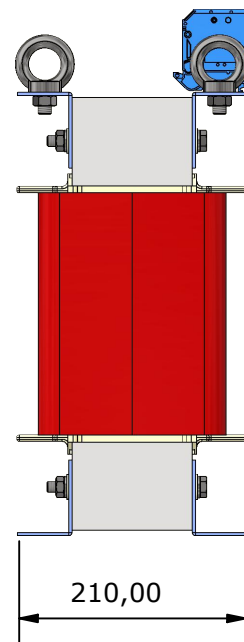


2



1



| TECHNICAL DATA                                       |   |
|--|---|
| According Standard                                   | EN-61.558-2-13  |
| Rated Power  | 75 KVA  |
| Primary Voltage                                      | 400/690V + N  |
| Secondary Voltage                                    | 400/690V + N  |
| Frequency  | 50/60 Hz  |
| Protection Grade                                     | IP-00   |
| Isolement Level                                      | F   |
| ED:  | 100%  |
| ta   | 40°C  |
| Class  | I   |
| Strength Dielectric test between live parts          | -   |
| Strength Dielectric test between live parts and mass | 2.750V  |
| Data Plate   | Yes   |
| Electrostatic screen                                 | Non   |
| Wound wires  | Aluminum wire G-2 class H                                 |
| Magnetic Core  | Non oriented grain, cold lamination.<br>M 330-50A EN10106 |
| Bobbin   | PA6 + Glass Fiber (30%)                                   |
| Type Refrigeration                                   | Dry   |
| Connection   | YN  |
| Terminal block                                       | CONTA CLIP 50mm   |
| Weight   | 136 Kg.   |

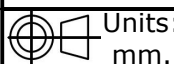
Drew by:

Miguel A. Hdez. - 28/03/2023

Approved by:

Victor Gallego - 28/03/2023

THREE-PHASE AUTOTRANSFORMER



XMN02375960

Page 1 de 1  
Rev: 01  
Rev date.: 28/03/2023

MANUMAG SL - C/Antonio Barriendos s/n, Pol. Ind. Las Norias  
50450-MUEL, SPAIN - VAT ESB50040146  
Tel +34 976 140606 - Fax +34 976 140 607  
comercial@manumag.com, export@manumag.com



2

1