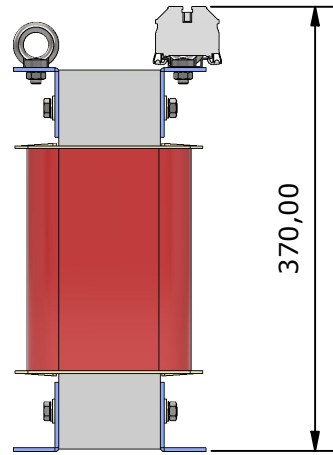
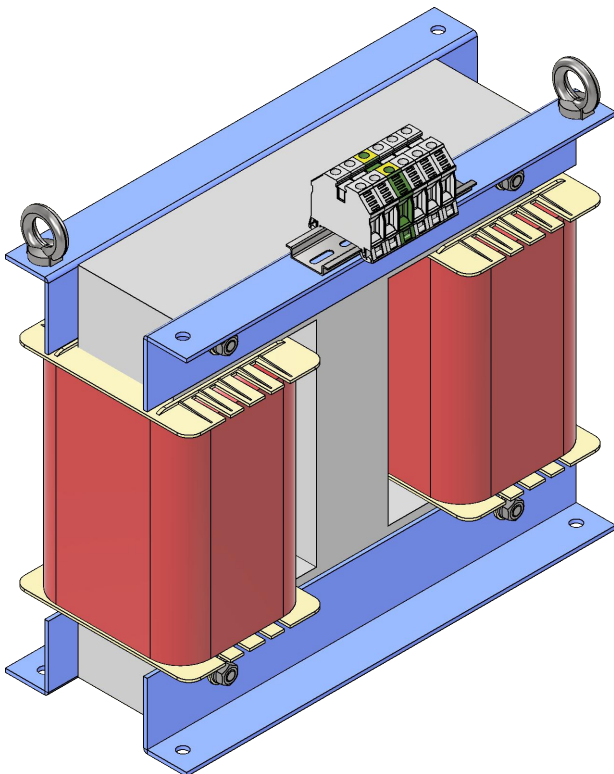
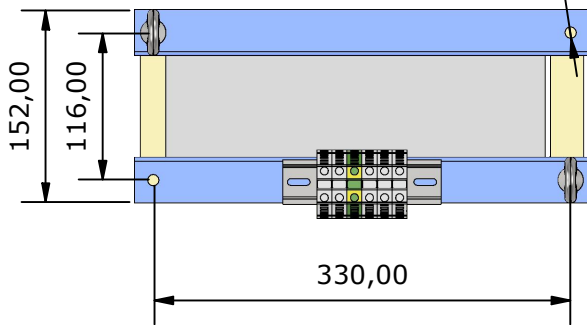


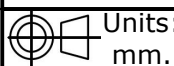
Ø9,00



TECHNICAL DATA	
According Standard	EN-61.558-2-4
Rated Power	10 KVA
Primary Voltage	400V (III)
Secondary Voltage	230V (I)
Frequency	50/60 Hz
Protection Grade	IP-00
Isolement Level	F
ED:	100%
ta	40°C
Class	I
Strength Dielectric test between live parts	4.600V
Strength Dielectric test between live parts and mass	3.500V
Data Plate	Yes
Electrostatic screen	Non
Wound wires	Cooper wire G-2 class H
Magnetic Core	Non oriented grain, cold lamination. M 330-50A EN10106
Bobbin	PA6 + Glass Fiber (30%)
Type Refrigeration	Dry
Connection	V-v inv.
Terminal block	CONTACLIP 16/35mm
Weight	62 Kg.

Drew by: Miguel A. Hdez. - 30/05/2023  
Approved by: Victor Gallego - 30/05/2023

THREE PHASE-SINGLE PHASE ISOLATION TRANSFORMER



Units:  
mm.

YZV03105400

Page 1 de 1  
Rev: 01  
Rev date.: 30/05/2023

MANUMAG SL - C/Antonio Barriendos s/n, Pol. Ind. Las Norias  
50450-MUEL, SPAIN - VAT ESB50040146  
Tel +34 976 140606 - Fax +34 976 140 607  
comercial@manumag.com, export@manumag.com

