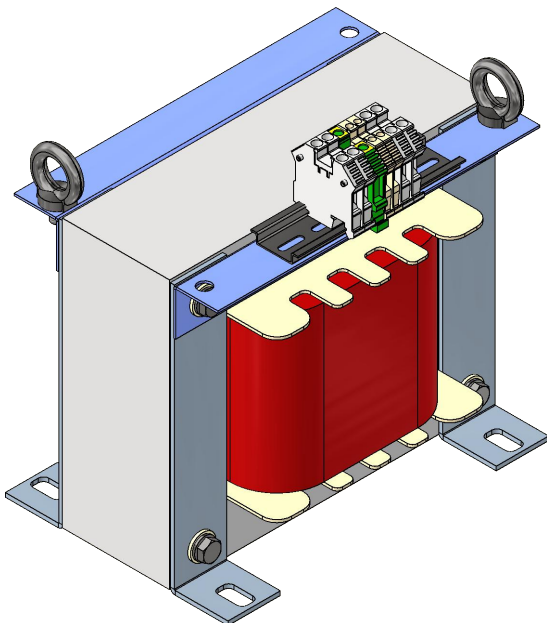
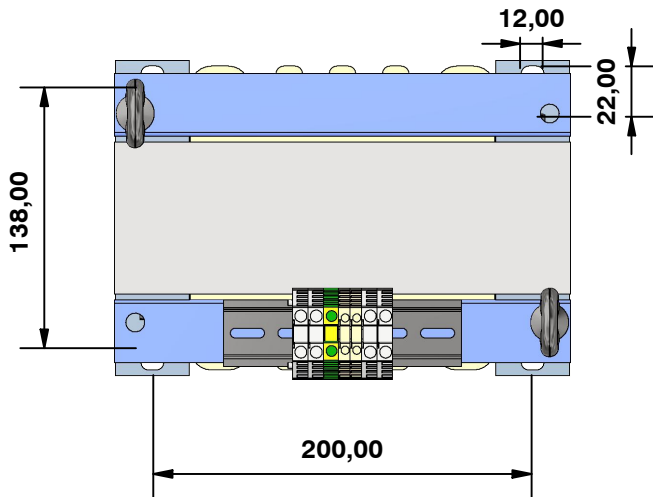
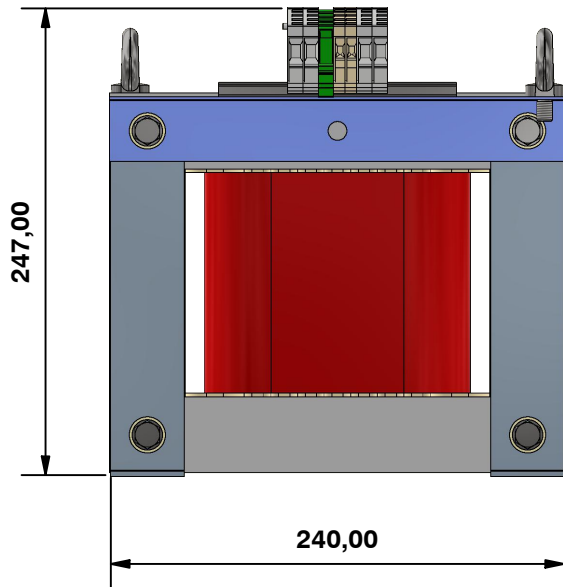
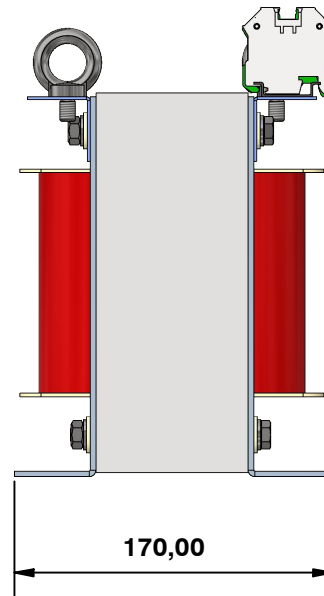


2



1



TECHNICAL DATA

According Standard	EN-61.558-2-15
Rated Power	3000 VA
Primary Voltage	230V
Secondary Voltage	230V
Frequency	50/60 Hz
Protection Grade	IP-00
Isolement Level	F
ED:	100%
ta	40°C
Ucc	8%
Protection temperature	NC 130°C
Strength Dielectric test between live parts	4.500V
Strength Dielectric test between live parts and mass	4.500V
Data Plate	Yes
Electrostatic screen	Yes
Wound wires	Cooper wire G-2 class H
Magnetic Core	Non oriented grain, cold lamination. M 330-50A EN10106
Bobbin	PA6 + Glass Fiber (30%)
Type Refrigeration	Dry
Connection	-
Terminal block	CONTA CLIP 6mm (PRI) CONTA CLIP 6mm (SEC)
Weight	31 Kg.

Drew by:

Miguel A. Hdez. - 31/01/2024

Approved by:

Victor Gallego - 31/01/2024

I-PHASE TRANSFORMER FOR MEDICAL LOCATIONS



Units:
mm.

TD802303200

Page 1 de 1
Rev: 01
Rev date.: 31/01/2024

MANUMAG SL - C/Antonio Barriendos s/n, Pol. Ind. Las Norias
50450-MUEL, SPAIN - VAT ESB50040146
Tel +34 976 140606 - Fax +34 976 140 607
comercial@manumag.com, export@manumag.com

manumag

2

1